

Imagine the possibilities...



THE **DISPLAY** FOLIO
Exhibit & Display Catalog



Nema Associates Inc.
408 E. Elizabeth Ave. Linden, NJ 07036
(908) 275-3840

DISPLAY FOLIO[®]

Exhibit & Display Catalog

In the demanding environments where display products are relied on day after day, customers increasingly recognize the importance of quality and of having a partner who can support their evolving needs.

Whether you need one stock item or five thousand custom frames, we are committed to being your source for quality and value in visual merchandising.

We continue to invest to improve the quality of the products and services we deliver to you, our customers. It takes a team effort from our employees, whose priority is ensuring that your projects are successful. Our approach has always been to listen carefully to our customers, and to deliver products that meet your evolving display needs. We service a wide range of industries.

We are proud of our extraordinary reputation for quality, value and reliability. We source the finest quality components, and because we manufacture in the U.S., our supply chain is shorter, "greener", and we can offer customizable solutions tailored to your needs. We are excited about our future and look forward to continuing our pursuit of opportunities together!

SnapGraphic Grippers™



Grip Graphics up to 70 mil (.070") thick.

Ingenious gripper snaps closed after graphic insertion with incredible strength, torque and care.

Patented!

U.S. Utility Patent # 6,637,716
U.S. Design Patent # D-424,120

Features:

- Beautifully finished aluminum case
- No pockets or graphic end treatment required
- Designed to close easily once graphic is inserted
- Ideal for large signage, reusable



SOLD AS A KIT
Top & bottom crossbar with 2 universal hanging clips.



Wide variety of hanging holders available.

Accessories:



UC180
Steel Brackets
Set of 4. Allows casings to be joined in series.



UC44
Wall Mount Kit
for SN1 & SN2
Set of 4.



UCSP
Aluminum Screw Posts,
set of 2. For thick graphics
(up to 3/8"), use in place of gripper.

Specify: Case—Length—Color*

Case

SN1	Oval
SN2	Rectangular
SN3	Oval, long
SN4	Rectangular, long

Length

1 - 18"	4 - 28"	7 - 60"
2 - 22"	5 - 36"	8 - 72"
3 - 24"	6 - 48"	9 - 96"

Custom lengths available

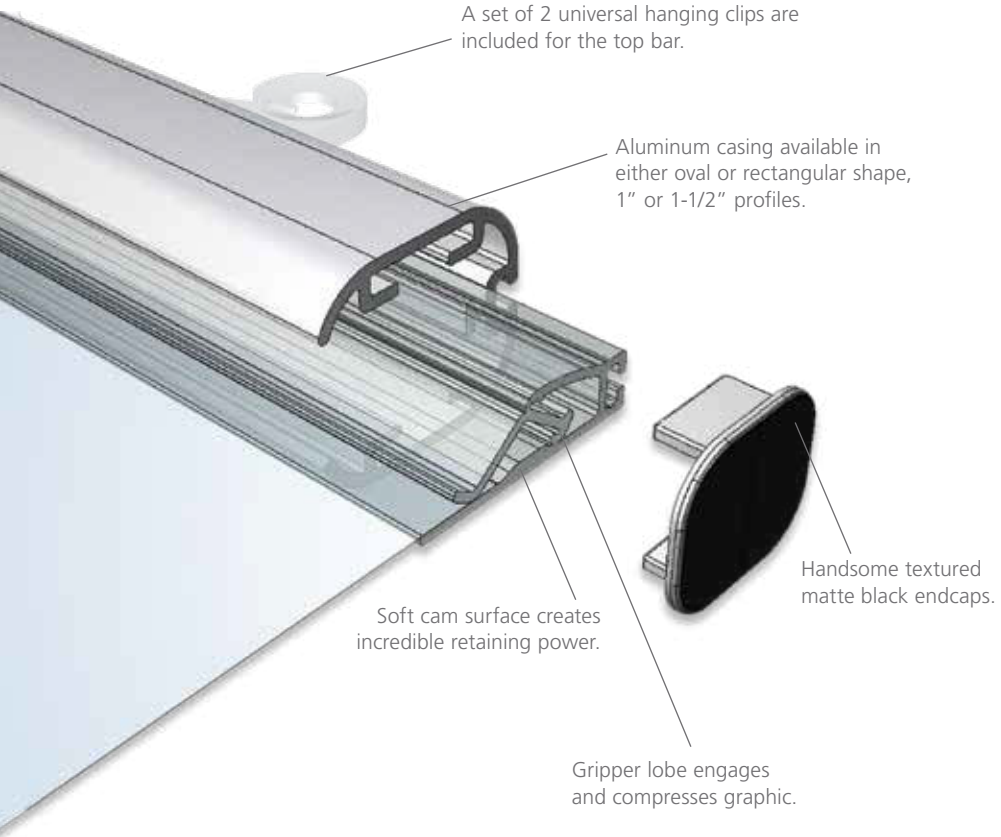
Color*

-S	Satin Silver
-B	Matte Black

*Does not affect price, but must use to order.



AB Adhesive back models available. Same cost as models with hanging clips.



SN1



Gripper extends below 1" w x 1" h cases



SN2

Grip Graphics up to 70 mil (.070") thick.

SN3



Extended 1" w x 1-1/2" h cases totally enclose gripper



SN4

Accessories:



UCSWB
For slatwall
set of 2 for 36" max.
Mounts perpendicular to wall.



UCWB
Wall Mount Bracket - set of 2,
3-1/4" diameter. For 36" maximum.
Indicate **-B** Black or **-S** Silver



Stands featuring SnapGraphics™ Bars are available.

Slimline SnapGraphic™



Grip Graphics up to 50 mil (.050") thick.



Wide variety of hanging holders available.

Ingenious gripper snaps closed after graphic insertion with incredible strength, torque and care.

Patented!

U.S. Utility Patent # 6,637,716
U.S. Design Patent # D-424,120

- Beautifully finished aluminum case
- No graphic end treatment required



SOLD AS A KIT
Top & bottom crossbar with 2 universal hanging clips.

Specify: Case—Length—Color*

Case

SN5 Rectangular, 1-1/2" high

Length

1 - 18"	4 - 28"	7 - 60"
2 - 22"	5 - 36"	8 - 72"
3 - 24"	6 - 48"	9 - 96"

Custom lengths available

Color*

-S	Satin Silver
-B	Matte Black

*Does not affect price, but must use to order.

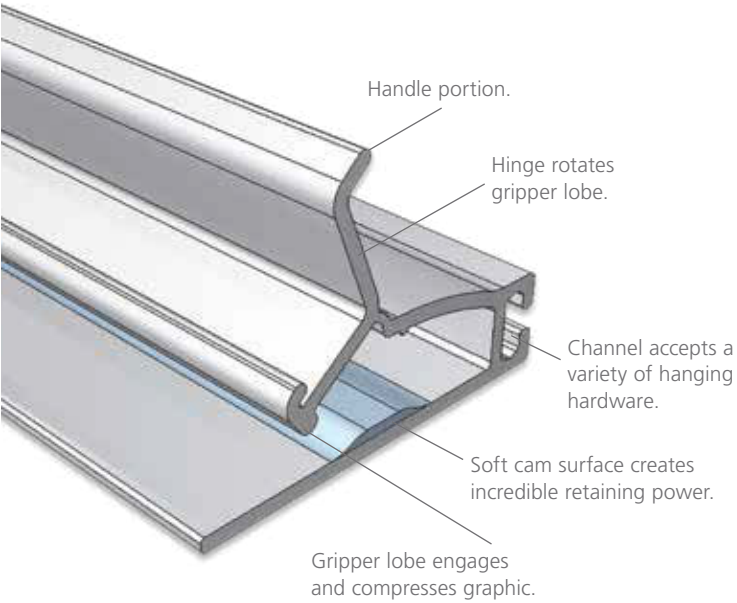


UC180
Steel Brackets
Set of 4. Allows casings to be joined in series.



Aluminum Casing
5/8"w x 1-1/2"h. Encloses gripper.

SNAPGRAPHICS™



Ingenious grippers snap closed after graphic insertion with incredible strength, torque and care.

- Closes easily once graphic is inserted
- No pockets or graphic end treatment required
- Ideal for large signage. Units are reusable
- U.S. Utility Patent # 6,637,716
U.S. Design Patent # D-424,120
- Grip graphics to .70 mil (.070") thick.

Snapgraphics™	Snapgraphics Oval™	Length
GC18	GCO18	18"
GC22	GCO22	22"
GC24	GCO24	24"
GC28	GCO28	28"
GC36	GCO36	36"
GC48	GCO48	48"
GC60	GCO60	60"
GC72	GCO72	72"
GC96	GCO96	96"

Custom lengths available.

SNAPGRAPHICS OVAL™

Same fabulous gripping power, but rounded body offers more rigidity & strength.



SOLD AS A KIT

Top & bottom crossbar with 2 universal hanging clips.



GC

- C Clear blends beautifully
- B Black not for direct sunlight
- S Silver simulates tech

GCO

- C Clear – See the full graphic
- S Silver – Simulates aluminum
Includes black end caps.



Wide variety of hanging holders available.

EasyGraphics Grippers™



Grip Graphics up to 3/32" (.093") thick.

Hanging system features phenomenal performance with the convenience of instant graphic insertion. Only good for rigid media

- Beautiful aluminum case
- No pockets or graphic end treatment required
- Simply insert graphic
- Reusable, ideal for large signage



SOLD AS A KIT
Top & bottom crossbar with 2 universal hanging clips.

Specify: Case—Length—Color*

Case

EA1	Oval
EA2	Rectangular
EA3	Oval, long
EA4	Rectangular, long

Length

1	4	7
18"	28"	60"
2	5	8
22"	36"	72"
3	6	9
24"	48"	96"

Custom lengths available

Color*

-S	Satin Silver
-B	Matte Black

*Does not affect price, but must use to order.



-AB Adhesive back models available. Same cost as models with hanging clips.

EA1



Gripper extends below 1" high profiles



EA2

EA3



Longer 1-1/2" models totally enclose gripper



EA4

Accessories:



UC44

Wall Mount Kit for EA1 & EA2 Set of 4.



UC180

Steel Brackets Set of 4. Allows casings to be joined in series.



UCSP

Aluminum Screw Posts, set of 2. For thick graphics (up to 3/8"), use in place of gripper.



UCSWB

For slatwall set of 2 for 36" max. Mounts perpendicular to wall.



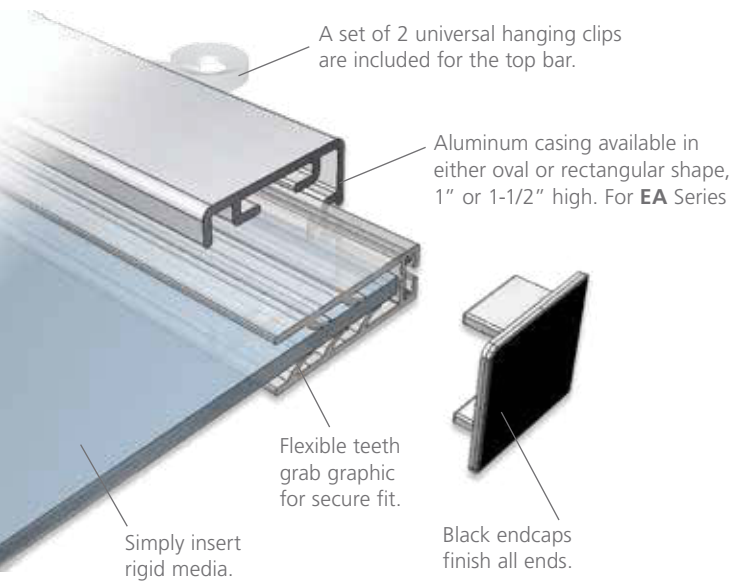
UCWB

Wall Mount Bracket - set of 2, 3-1/4" diameter. For 36" maximum. Indicate **-B** Black or **-S** Silver



Wide variety of hanging holders available.

EASYGRAPHICS™ EA Series



Easiest graphics gripper bar available.
Only good for rigid media.
Simply insert the graphic from the bottom up!



SOLD AS A KIT
Top & bottom crossbar with
2 universal hanging clips.

Easygraphics™	Length
GJ18	18"
GJ22	22"
GJ24	24"
GJ28	28"
GJ36	36"
GJ48	48"
GJ60	60"
GJ72	72"

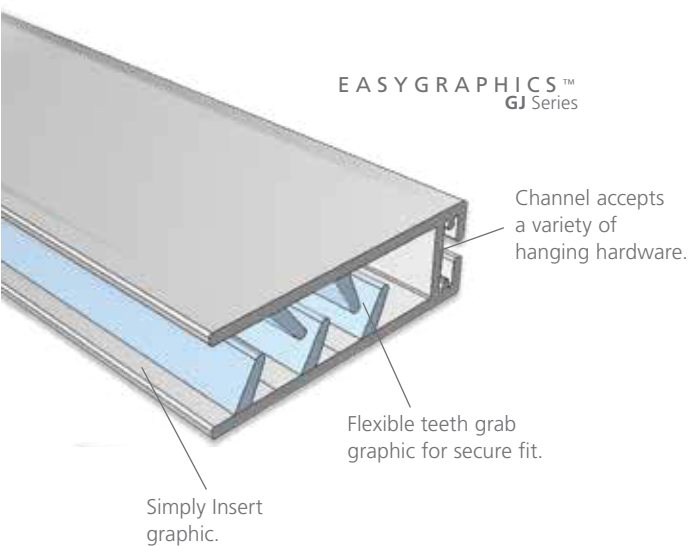
Custom lengths available

GJ

- C Clear blends beautifully
- B Black not for direct sunlight
- W White is white
- S Silver simulates tech

Grip Graphics up to
1/8" (.125") thick.

EASYGRAPHICS™ GJ Series



Common EA & GJ Accessories:



J180
Straight Split for joining
units side by side.



Wide variety of
hanging holders
available.



Hanging Trapeze Bars™



CUSTOM TRAPEZE BARS

Sizes, diameters, end caps can be customized.

SINGLE SECTION TRAPEZE BARS

Simply Hem Graphics top and bottom for aluminum tubes.

Features:

- Strong and lightweight
- Very easy to use
- Extremely economical
- Clear satin anodized finish
- Shipped one set per polybag

SOLD AS A TOP CROSSBAR AND BOTTOM CROSSBAR SET

Steel eyebolts are included for top crossbars.

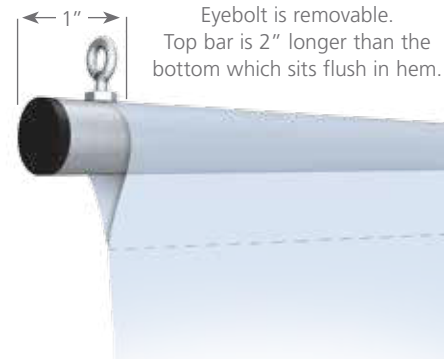
Aluminum alloy tubes, etched and clear anodized finish.

SINGLE SECTION TRAPEZE BARS

Model	Banner Width	Diameter
BP01	18"	7/8"
BP02	22"	7/8"
BP03	24"	7/8"
BP04	28"	7/8"
BP05	36"	7/8"
BP06	48"	7/8"
BP07	60"	7/8"
BP08	72"	7/8"
BP011	84"	7/8"*
BP013	96"	7/8"*

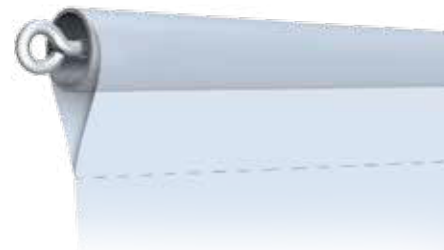
*Has 3rd Eyebolt in center, banner notch required.

Standard Configuration



Optional Configuration

Specify: **SD** Side Eyebolts
Same cost as standard configuration.
Ordering Example: **BP06SD**



BABY TRAPEZE BAR WIRE SETS

3/16" diameter steel wire. Tops have loops at each end. Bottoms are straight cut.



Model	Width	Model	Width
BPW09	9"	BPW18	18"
BPW12	12"	BPW24	24"

MULTIPLE SECTION TRAPEZE BARS

Simply Hem Graphics
top and bottom for aluminum tubes.

- Strong and lightweight
- Very easy to use
- Extremely economical
- Clear satin anodized finish

SOLD AS A TOP CROSSBAR AND BOTTOM CROSSBAR SET

Steel eyebolts are included for top crossbars.

Standard Configuration

Top Bar is 2" longer than bottom bar, which sits flush inside bottom hem.

Optional Configuration

Specify: **SD** Side Eyebolts
Same cost as standard configuration.

Models	Banner Width	Sections	Diameter	# Eyebolts
BP09	96"	2	1-1/4"	3
BP10	120"	2	1-1/4"	3
BP12	144"	2	1-1/4"	3
BP15	180"	3	1-1/4"	4
BP20	240"	4	1-1/4"	5

CUSTOM SIZES AVAILABLE.

Disclaimer:

We recommend getting samples and fully testing these products for your application. Purchaser determines suitability of all product usage and assumes all risk & liability. Neither the seller nor the manufacturer shall be held liable for any injury, loss or damage from use of such product.



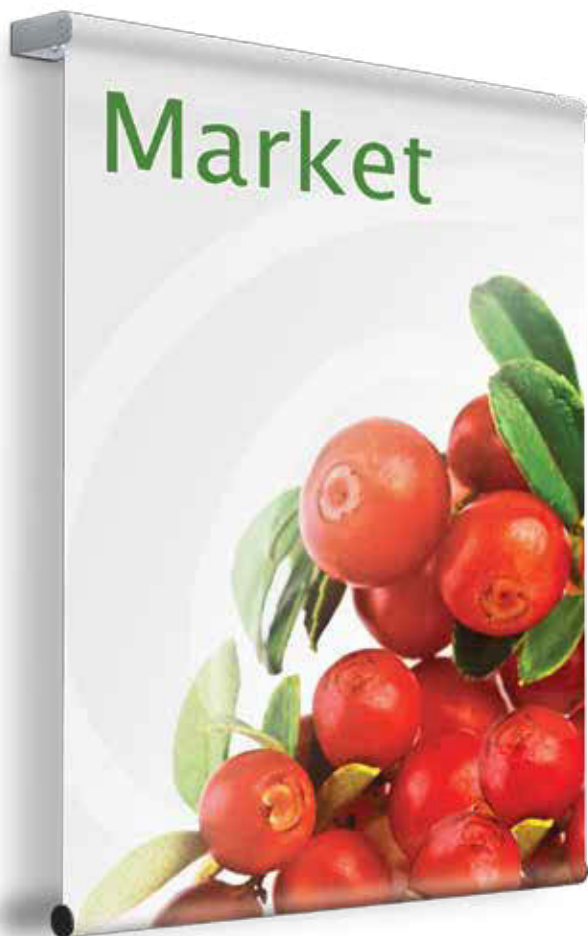
Multiple section units connect with
solid aluminum turned bushings.

Wall Mount Trapeze Bar™ Bracket Sets

WALL MOUNT BRACKET SETS

Wall mount bracket sets work in conjunction with our optional configuration **SD** Trapeze Bars, pages 84 & 85, ie. those with top bars having side threads.

Simply remove eyebolts from Trapeze Bars and discard (or order without). Brackets attach to top bar only, bottom bar drops freely.

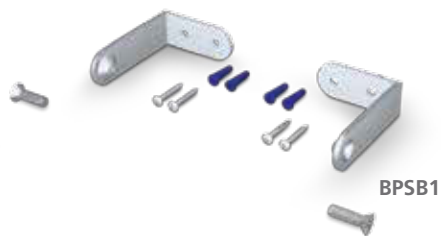


BPSB1 - For single section Trapeze Bars (7/8" diameter).

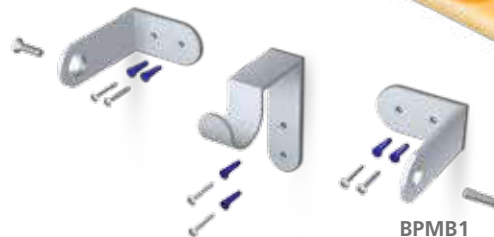
BPMB1 - For 2 section Trapeze Bars **BP09SD**, **BP10SD** & **BP12SD**.

BPMB2 - For 3 section Trapeze Bars **BP15SD**.

BPMB3 - For 4 section Trapeze Bars **BP20SD**.



BPSB1



BPMB1

SIMPLE GRAPHIC HANGING SOLUTIONS!

GRAPHIC CHANGEOUTS WITHOUT A LADDER



Combining Trapeze Bars & SnapGraphic Grippers.
Facilitate graphic changes to be extremely associate friendly.
Extremely cost efficient, layouts are offered on a project basis.



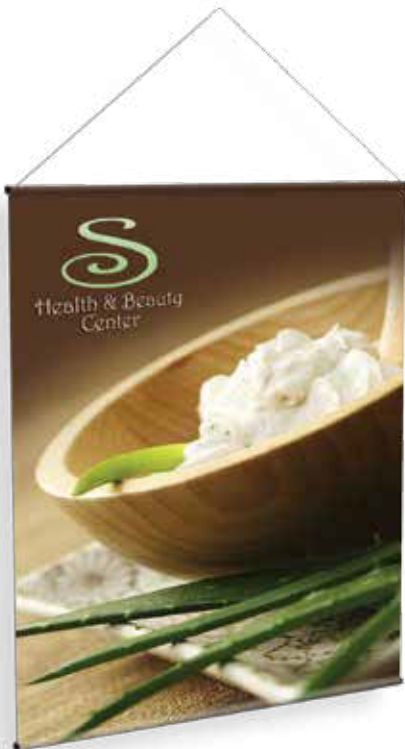
Telescopic Changeout Pole

- JBT1** Two sections - opens - 10' Extension / 15' Ceiling.
- JBT2** Three sections - opens - 15' Extension / 20' Ceiling.

Hanging Banner Kits

HANGING DOWEL KITS

Includes: (2) aluminum 1/2" diameter dowels, end caps and (1) diamond braided cord. Use banners with a hem top & bottom, put nail into wall and you're good to go.



Choose Model and Color*

PP24	24" wide dowels
PP36	36" wide dowels
PP48	48" wide dowels

WALL MOUNT SNAPBAR KITS

Includes: (2) Aluminum Snap Bars, matte anodized finish. Strong springs hold graphics to 1/16" thick. Black endcaps (4) wall screws & anchors.



Choose Model and Color*

MEB1	18"	MEB5	36"
MEB2	22"	MEB6	48"
MEB3	24"	MEB7	60"
MEB4	28"	MEB8	72"

-S Satin Silver **-B** Matte Black

WALL MOUNT BANNER KITS

Includes: (2) 3/4" diameter matte anodized poles and (2) 3-1/4" round plates with mounting holes. Wall hardware not included.



Choose Model and Color*

WB1	12" Banner Width
WB2	18" Banner Width
WB3	22" Banner Width
WB4	24" Banner Width
WB5	30" Banner Width

*Does not affect price, but must use to order.

Visual Merchandising Clamps™

SOLID ALUMINUM SIGNING CLAMPS

- Solid aluminum alloy
- 2" w x 3" h, rubber grips
- Anodized satin finishes
- Clever binder spring
- Grip range up to 1/2" thick.

Specify: **-S** Satin Silver **-B** Matte Black



VCDP



VCWM



(2) VCTP



VCCD



VCDP

Steel grid clip, telescopic aluminum tube assembly 20"-36"



VCTP

Clamp only, use on table top, or for small signs.



VCSW

Clamp with integral slot wall bracket included.



VCCO

360° swivel, snaps onto poles, Diameter: 1" -1, 1-1/2" -3, 3/4" -5, 1-1/4" -7.



VCCD

Clamp has integral eye hook for ceiling drops.



VCMT

Clamp with male 1/4-20 thread, multifunctional.



VCWM

Features hole for mounting parallel on a wall.

Ceiling Anchors, Links & Cables

Ceiling Anchors

Swivel Clip

Clear plastic clip for ceiling grids, swivels 360°. Sold 10/per. **ANC01.**



Metal Threaded Studs

Strong heavy duty scissors clip. Use to mount threaded accessories. Sold 10/per. **ANC14.**



Grid Snap On Swivel Hook

1/4" hook slot rotates 360°. Sides simply snap on. White. Sold 10/per. **ANC02.**



Steel Spring Stud

Clips onto grid, thread for accessories. Sold 10/per. **ANC13.**



Grid Snap On Eye

3/8" diameter eye. Great looking. Simple & strong. Sold 10/per. **ANC03.**



Ceiling Twist Loop

7/8" loop, 2" base. Quick connect, just twist. White. Sold 10/per. **ANC06.**



Metal Loop

Strong steel spring. Provides 15/64" loop. Sold 10/per. **ANC04.**



Clear Hinged Hook

One piece hook hinges open & closes around ceiling grid. Sold 10/per. **ANC05.**



Suction Cups

Clear 2-14" diameter with hanging hook. Sold 100/per. **ANC18**



Suction Cup with push tack. Clear 2-1/4" diameter Sold 100/per. **ANC19**



Round Magnetic Bases

Plated steel case and hook house powerful magnets.



Model	O.D.	Rating
RMB1	1-1/2"	18 lbs.
RMB2	2"	20 lbs.
RMB3	2-1/2"	38 lbs.

Links

Links Sold 100/per.

- CLK1** C Link 1-1/12" long
- CLK2** C Link 3" long
- SHK1** S Link 1" long
- SHK2** S Link 1-5/8" long



Rings

- Set of 4, hold graphics with holes or grommets.
- RG3** 2" Diameter
- RG5** 3" Diameter



Double C Hooks

Plated steel hangwires. Economical. Holds up to 10 lbs. Sold 50/per.

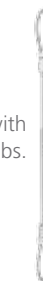
Order: **HDC4, HDC6, HDC12**, etc.



Double Loop Cable

1/32" uncoated stainless steel with 1/2" long loops. Hold up to 50 lbs. Sold 2/per.

HDL6 6" **HDL12** 12"



Adjustable Cable Assemblies

Wire rope loop one side, straight wire other, plus an adjustable spring loaded cable lock. Choice of locks - Diecast zinc and double barrel steel. Simply feed cable through the lock and adjust to required length. Sold 2/per.

Model	Lock	Gauge	Length	Rating
ADC136	Diecast	1/32"	6'	14 lbs.
ADC1312	Diecast	1/32"	12'	14 lbs.
ADC1318	Diecast	1/32"	18'	14 lbs.
ADC166	Diecast	1/16"	6'	50 lbs.
ADC1612	Diecast	1/16"	12'	50 lbs.
ADC1618	Diecast	1/16"	18'	50 lbs.
ABS166	Steel	1/16"	6'	50 lbs.
ABS1612	Steel	1/16"	12'	50 lbs.
ABS1618	Steel	1/16"	18'	50 lbs.



Adjustable Cable Locks (without cable)

Use with bare **uncoated** wire rope only.

ADC13	Diecast	1/32"
ADC16	Diecast	1/16"
ABS16	Steel	1/16"



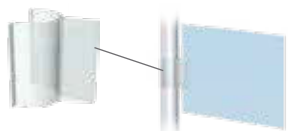
Diecast Lock



Steel Lock

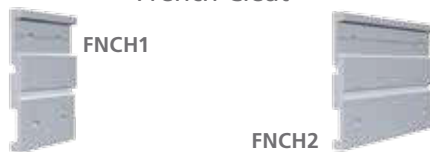
Mounts, Cable, Harnesses & Tapes

Snap-on Graphic Clips (2/set)
Holds rigid media up to 3/32" thick.



- HT1** Fits 1" diam. uprights
- HT2** Fits 3/4" diam. uprights
- HT3** Fits 1-1/2" diam. & SignPost

French Cleat



Set of 2 interlocking French Cleats. 4 screws & wall anchors included. Anchor 1 piece to wall other to object.

- | | |
|-----------------|------------------|
| FNCH1 2" | FNCH3 12" |
| FNCH2 4" | FNCH4 22" |

Grid Ceiling Divider



GRCD1 for positioning anchors & signage in the best possible location. 24" long, white, compatible for most grid ceilings.

Ceiling Tracks

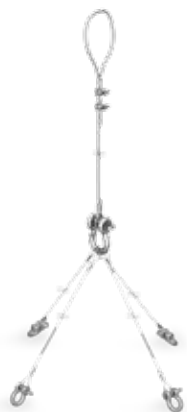


White aluminum bars with mounting holes. Mounting hardware not included. **CTK48** 48", 3 holes, **CTK96** 96", 5 holes.

Harness Sets

Harness Sets should be professionally installed.

- HRNS3** 3 small shackles, 3 double loop lead wires (specify length), collection shackle, 20' pendant wire, 2 wire rope clips.
- HRNS4** 4 small shackles, 4 double loop lead wires (specify length), collection shackle, 20' pendant wire, 2 wire rope clips.
- HRNS5** 5 small shackles, 5 double loop lead wires (specify length), collection shackle, 20' pendant wire, 2 wire rope clips.



Forged eyebolts, shackles, quick links, aircraft cable.

Fully test every installation as conditions vary, and neither the manufacturer nor the sales representative may be held liable for injury or loss or damage resulting from the use of these products.

Wire Rope Aircraft quality galvanized. 100' rolls.

Model	Gauge	Style	Rated
HWB32100	1/32"	Bare Uncoated	14 lb.
HWB16100	1/16"	Bare Uncoated	50 lb.

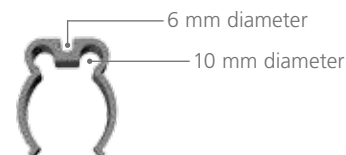


Uncoated
HWB32100 100'

- DWSC132** Oval crimp sleeves. For 1/32" 50/per.
- DWSC116** Oval crimp sleeves. For 1/16" 50/per.



CTWBC Crimping tool.



Wire Management Clips

Holds 6mm & 10mm cables. (set of 4).

- CRWO** for 1" to 1-1/2" tubes
- CRWM** for SignPost & Creo

Flexible Magnet



Flexible magnet 1" wide 3/32" thick high tack adhesive. 100' roll. **MGT2**.

Magnetic Receptive Tape



OGMRS - Magnetic receptive tape .025" x 1" 100 feet with pressure sensitive adhesive.

Two-sided Removable Tape



Roll of white foam tape with removable adhesive on 2 sides. 1/32" thick, 1" wide, 30' long. **GXTP1**

Removable Foam Strips



White, each strip is 1/2" x 2" long and each has a load capacity of 3 lbs. Pull tab sideways to remove. Packed 36. **RFT1**



nema

MARKETING & DESIGN AGENCY

NEMA ASSOCIATES INC.

THE **DISPLAY FOLIO**
Exhibit & Display Catalog

(908) 275-3840

408 E ELIZABETH AVE. LINDEN, NJ 07036

Visit www.nemadesign.com to view or download a digital copy of this catalog.